

DYNAMIC SIGNAGE



With 'day-parting' and pre-programmed promotions, cafe and restaurant operators are already benefitting from the tremendous impact of our dynamic digital signage, such as a 3-5% increase in sales.

Our signage software and hardware is designed to enable flexible and easy installation and integration.

Our intelligent digital signage enhances promotions and increases conversions, engaging customers and attracting attention. It can maximise dwell times, and influence customer purchasing behaviour. It improves efficiencies, only showing what's in stock, and gives flexibility to change.

Your self-service and automated technology specialists, providing happier, higher spending shoppers and lower operational costs.

Example Benefits

- ▶ **Attract customers**
- ▶ **Simplify workflows**
- ▶ **Reduce waste**
 - 'Day-parting' and pre-programmed promotions
 - 'Live menu' meaning that out-of-stock items are not displayed
 - Intelligent content layers allows for live price file updates
 - Easy to update menu items/promotions
 - Promote Dish of the Day or special

The average sale in restaurants increased by

+19%

to £14.33 during 2023

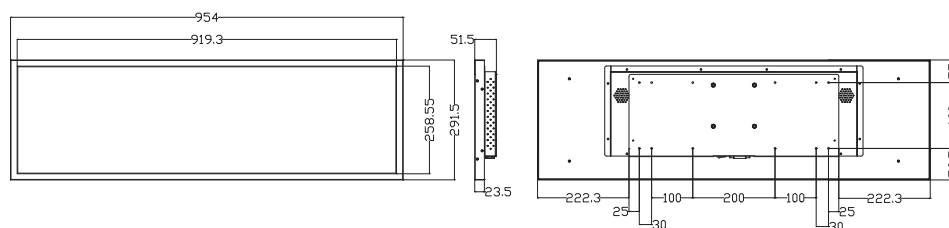
DYNAMIC SIGNAGE

We have a wide range of standard dynamic digital signage components, or we can provide you with a custom design if the standard range does not quite meet your requirements.

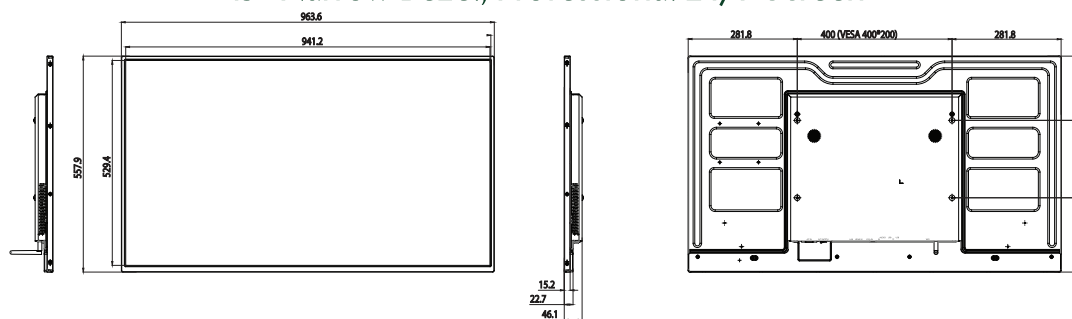
Get in touch with us to talk about your exact requirements and our friendly sales team will be happy to assist and guide you to ensure that you get the best solution for your needs.

Specification

37" Stretch, Narrow Bezel, Professional 24/7 Screen



43" Narrow Bezel, Professional 24/7 Screen



Key features

- External input options
- Various screens formats
- 19" - 75" Screen
- Highly durable, 24/7
- Counter / Wall mounts
- Integrated PC
- Narrow bezel
- Various screen sizes
- Audio output

Your self-service and automated technology specialists, providing happier, higher spending shoppers and lower operational costs.